

STEAMTEC 312, 520, 51H

Model:
STEAMTEC 312
STEAMTEC 5 IH
STEAMTEC 520



Part List US-English

11-02-2010

Nilfisk

www.nilfisk.com

Table of Contents

STEAMTEC 312, 520, 51H

STEAMTEC 312	3
STEAMTEC 520 base	5
STEAMTEC 520 cover	7
STEAMTEC 51H base	9
STEAMTEC 51H cover	11
Accessories	13
Steam ironing station	15
Steam ironing cover	17
Steam ironing board version 2009 June	19

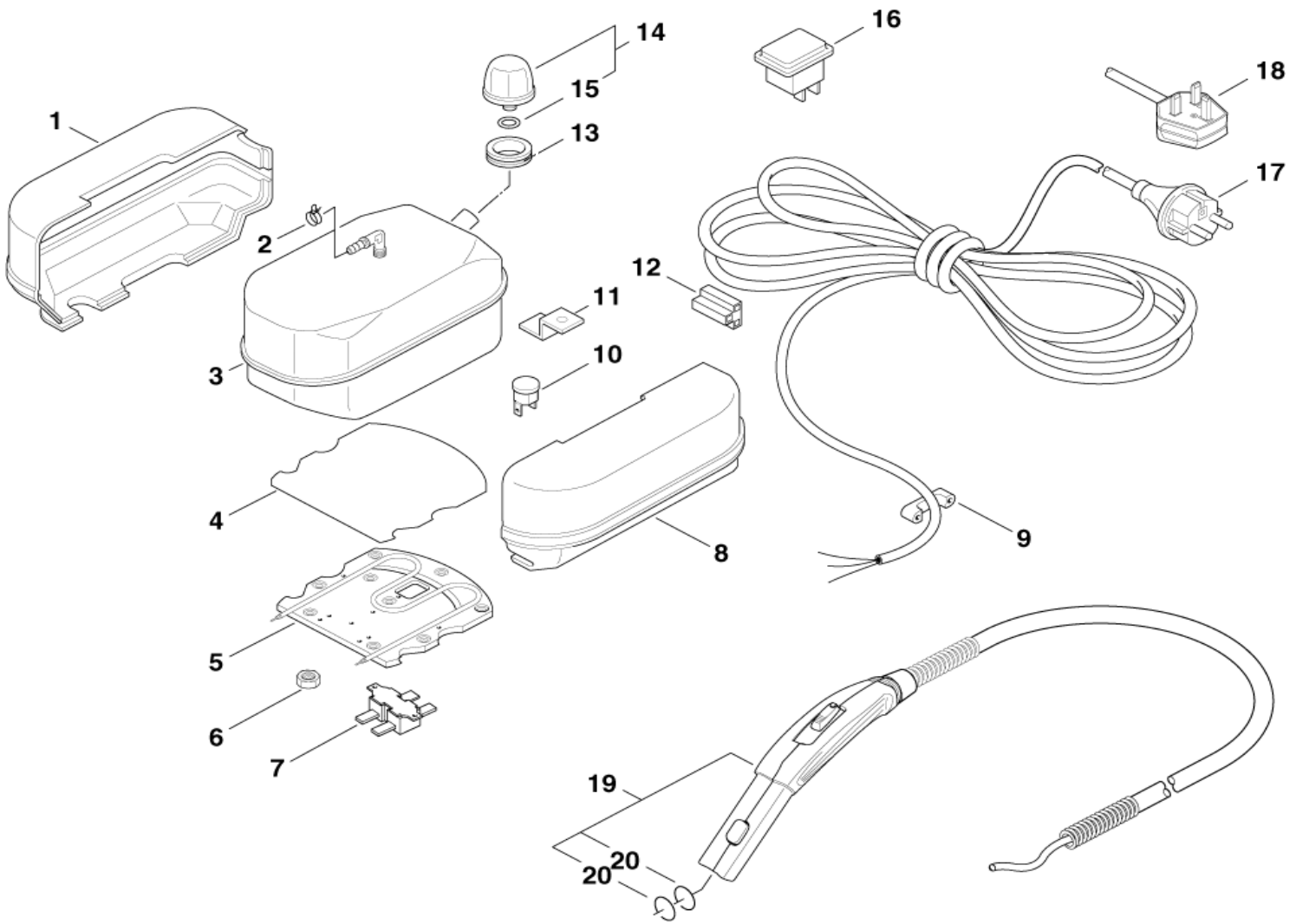
STEAMTEC 312

STEAMTEC 312, 520, 51H

11-02-2010

Part List ID
STEAMTEC02

3



STEAMTEC 312

STEAMTEC 312, 520, 51H

11-02-2010

Part List ID
STEAMTEC02

4

Pos	Part no.	Qty	Description	EAN
1	303000473	1	INSULATION RIGHT	4005337079
2	303000457	1	HOSE CLIP Ø 9,5-11	4005337079
3	303000471	1	TANK 1,2L	4005337079
4	303000461	1	GASKET 150X60X0,5	4005337080
5	303000462	1	HEATER 230V 1560W	4005337080
6	1804285	8	LOCK NUT M5	5701715029
7	303000445	1	THERMAL CUT-OUT 180C	4005337079
8	303000472	1	INSULATION LEFT	4005337080
9	303000463	1	STRAP 21X8X6	4005337080
10	303000460	1	THERMO SWITCH 150C	4005337079
11	303000451	1	BRACKET 36X12X5	4005337079
12	303000470	1	CONNECTOR HOUSING 3-POL.	4005337080
13	303000447	1	GASKET Ø 34X Ø 20X12	4005337080
14	303000458	1	SAFETY CAP 5,5BAR	4005337080
15	3756	1	O-RING Ø 14X2,5	4005337037
16	303000450	1	MAIN SWITCH 16A 250V	4005337080
17	303000464	1	POWER CORD H05VV-F 3X1X4	*EU* 4005337080
17	303000466	1	POWER CORD H05VV-F 3X1X4	*DK* 4005337079
18	303000465	1	POWER CORD H05VV-F 3X1X4	*GB,230V* 4005337080
19	303000437	1	STEAM HOSE	4005337079
20	12960	2	O-RING 7,65X1,78	4005337129

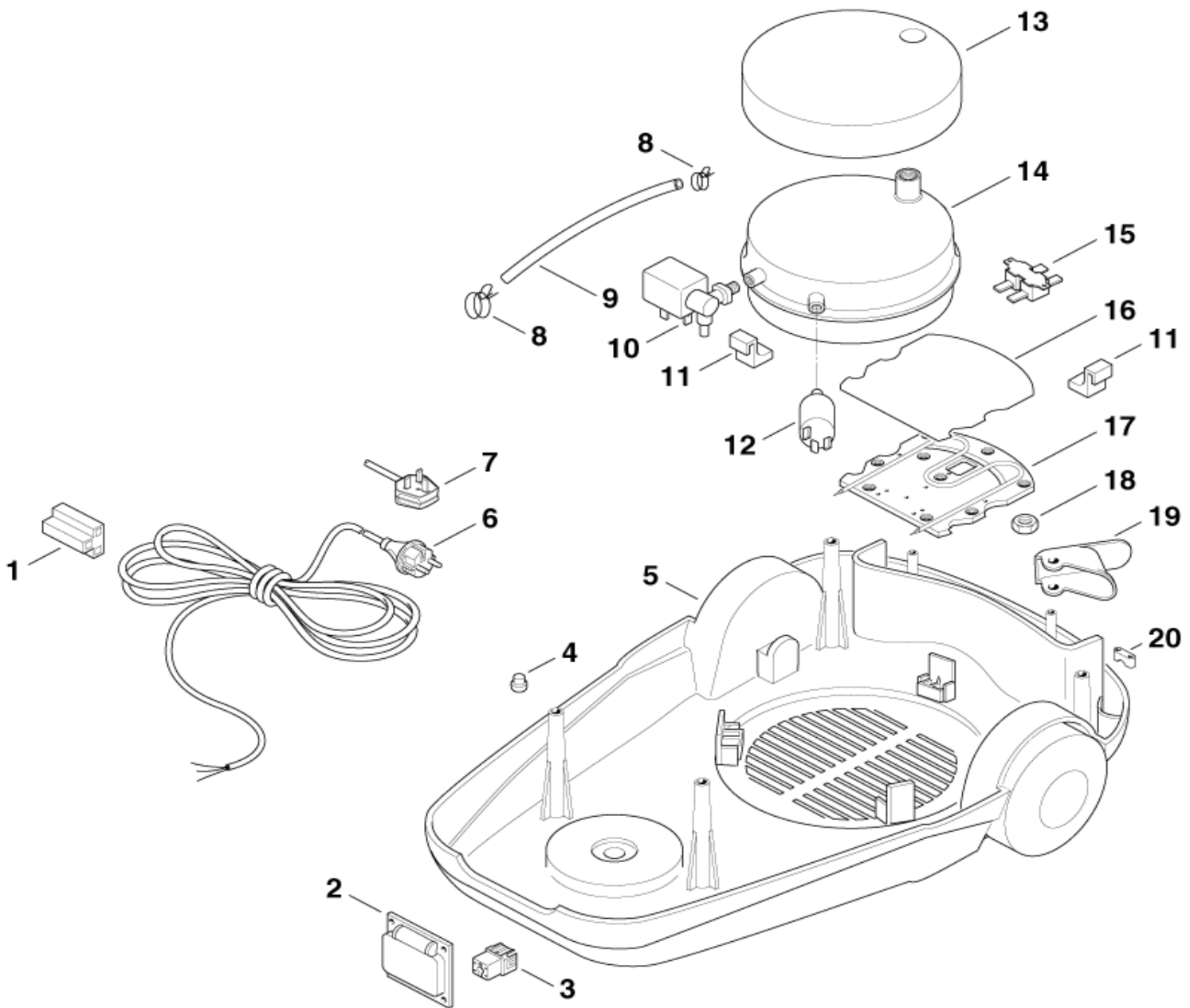
STEAMTEC 520 base

STEAMTEC 312, 520, 51H

11-02-2010

Part List ID
STEAMTEC04

5



STEAMTEC 520 base

STEAMTEC 312, 520, 51H

11-02-2010

Part List ID
STEAMTEC04

6

Pos	Part no.	Qty	Description	EAN
1	303000470	1	CONNECTOR HOUSING 3-POL.	4005337080
2	303000444	1	SOCKET	4005337079
3	303000446	1	SOCKET	4005337079
4	303000448	2	DISTANCE PIECE Ø 8X4X16	4005337080
5	303000478	1	BASE	4005337080
6	303000464	1	POWER CORD H05VV-F 3X1X4 *EU*	4005337080
6	303000466	1	POWER CORD H05VV-F 3X1X4 *DK*	4005337079
7	303000465	1	POWER CORD H05VV-F 3X1X4 *GB,230V*	4005337080
8	2404	2	HOSE CLAMP Ø 12X9	4005337024
9	303000443	1	HOSE Ø 4,5X190	4005337079
10	303000484	1	SOLENOID VALVE Ø 5-R1/8	4005337080
11	303000479	3	BRACKET 22X22X20	4005337080
12	303000476	1	PRESSURE SWITCH 3,8BAR	4005337080
13	303000438	1	ISOLATION Ø 195X45	4005337079
14	303000442	1	TANK 1,5L	4005337079
15	303000487	1	THERMAL CUT-OUT 180C	4005337080
16	303000441	1	GASKET 135X123X0,5	4005337079
17	303000440	1	HEATER 230V 1450W	4005337079
18	1804285	10	LOCK NUT M5	5701715029
19	303000482	2	BRACKET 76X39X21	4005337080
20	303000463	1	STRAP 21X8X6	4005337080

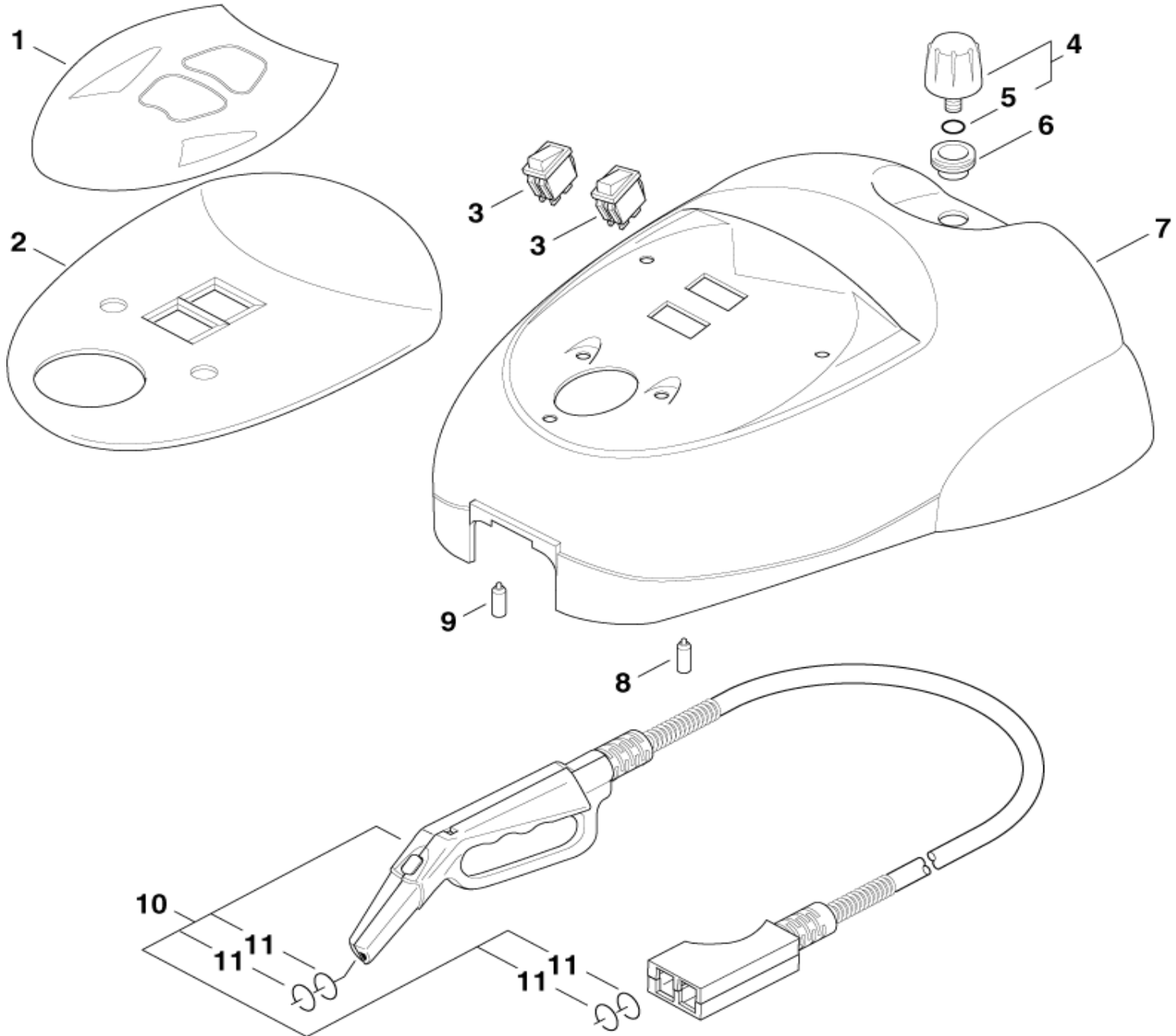
STEAMTEC 520 cover

STEAMTEC 312, 520, 51H

11-02-2010

Part List ID
STEAMTEC06

7



STEAMTEC 520 cover

STEAMTEC 312, 520, 51H

11-02-2010

Part List ID
STEAMTEC06

8

Pos	Part no.	Qty	Description	EAN
1	303000483	1	LABEL	4005337080
2	303000436	1	COVER 207X158X34	4005337079
3	303000477	2	MAIN SWITCH 16A 250V	4005337080
4	303000458	1	SAFETY CAP 5,5BAR	4005337080
5	3756	1	O-RING Ø 14X2,5	4005337037
6	303000447	1	GASKET Ø 34X Ø 20X12	4005337080
7	303000480	1	COVER STEAMTEC 520	4005337080
8	303000439	1	INDICATOR LAMP 230V (GR	4005337079
9	303000469	1	INDICATOR LAMP 230V (WH	4005337080
10	303000488	1	STEAM HOSE	4005337080
11	12960	4	O-RING 7,65X1,78	4005337129

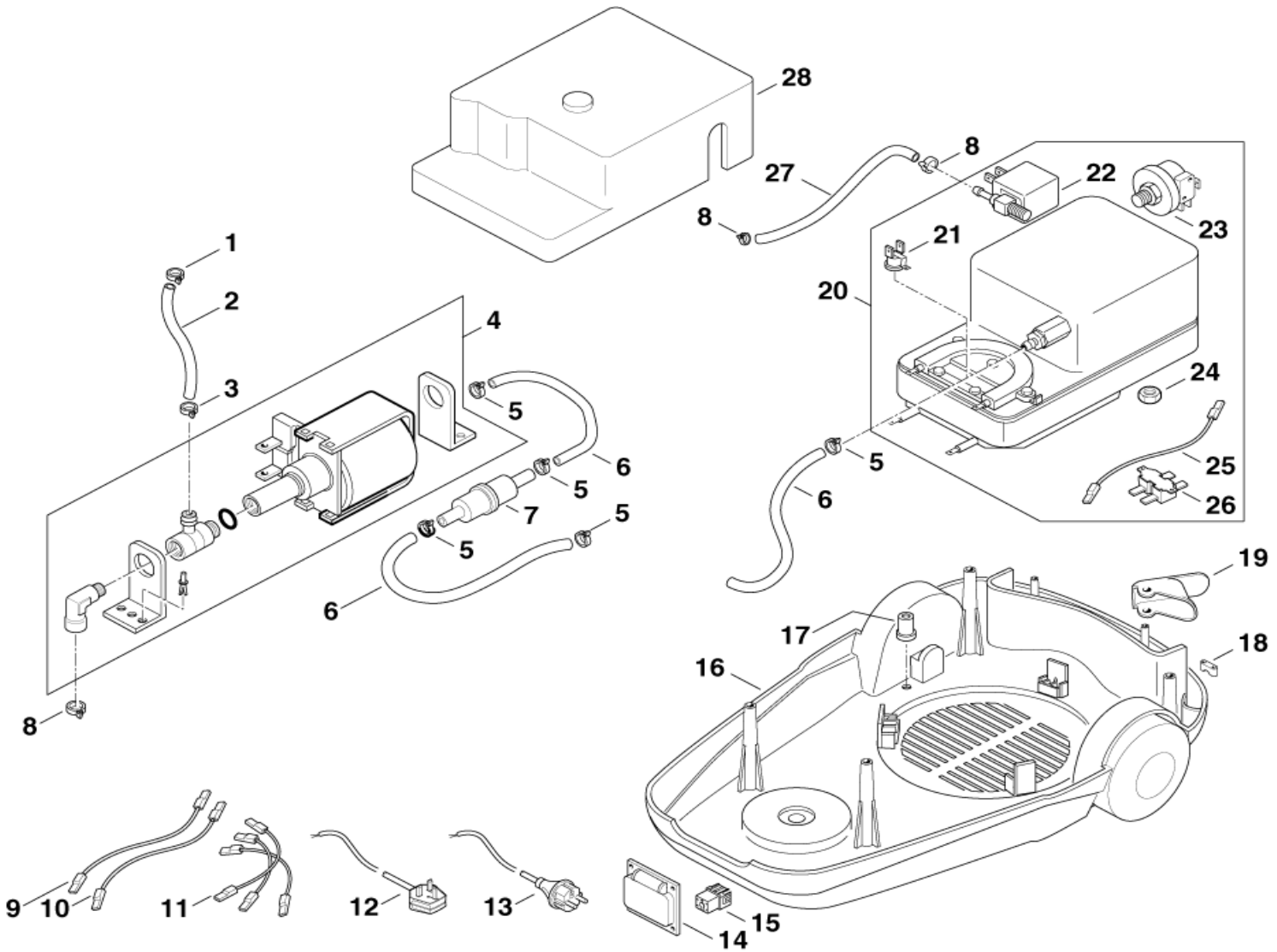
STEAMTEC 51H base

STEAMTEC 312, 520, 51H

11-02-2010

Part List ID
STEAMTEC08

9



STEAMTEC 51H base

STEAMTEC 312, 520, 51H

11-02-2010

Part List ID
STEAMTEC08

10

Pos	Part no.	Qty	Description	EAN
1	303000500	1	WIRE HOSE CLAMP Ø 9	4005337081
2	303000493	1	HOSE Ø 4X2X190	4005337081
3	11860	1	HOSE CLIP Ø 9-11	4005337118
4	303000494	1	PUMP	4005337081
5	2404	5	HOSE CLAMP Ø 12X9	4005337024
6	303000490	3	HOSE Ø 5X2,5X155	4005337081
7	303000481	1	FILTER	4005337080
8	303000457	3	HOSE CLIP Ø 9,5-11	4005337079
9	303000498	1	CABLE 1X150 (BLUE)	4005337081
10	303000499	1	CABLE 1X200 (BROWN)	4005337081
11	303000497	1	CABLE 8X1,0MM	4005337081
12	303000465	1	POWER CORD H05VV-F 3X1X4	*GB,230V* 4005337080
13	303000464	1	POWER CORD H05VV-F 3X1X4	*EU* 4005337080
13	303000466	1	POWER CORD H05VV-F 3X1X4	*DK* 4005337079
14	303000444	1	SOCKET	4005337079
15	303000446	1	SOCKET	4005337079
16	303000478	1	BASE	4005337080
17	303000486	4	DISTANCE PIECE Ø 18X20	4005337080
18	303000463	1	STRAP 21X8X6	4005337080
19	303000482	2	BRACKET 76X39X21	4005337080
20	303000495	1	TANK KIT	4005337080
21	303000459	1	THERMO SWITCH 160C	4005337079
22	303000484	1	SOLENOID VALVE Ø 5-R1/8	4005337080
23	303000456	1	PRESSURE SWITCH 3,0BAR	4005337079
24	1804285	13	LOCK NUT M5	5701715029
25	303000485	1	THERMAL CUT-OUT 240C	4005337080
26	303000487	1	THERMAL CUT-OUT 180C	4005337080
27	303000496	1	HOSE Ø 4,5X320	4005337081
28	303000501	1	ISOLATION UPPER	4005337081

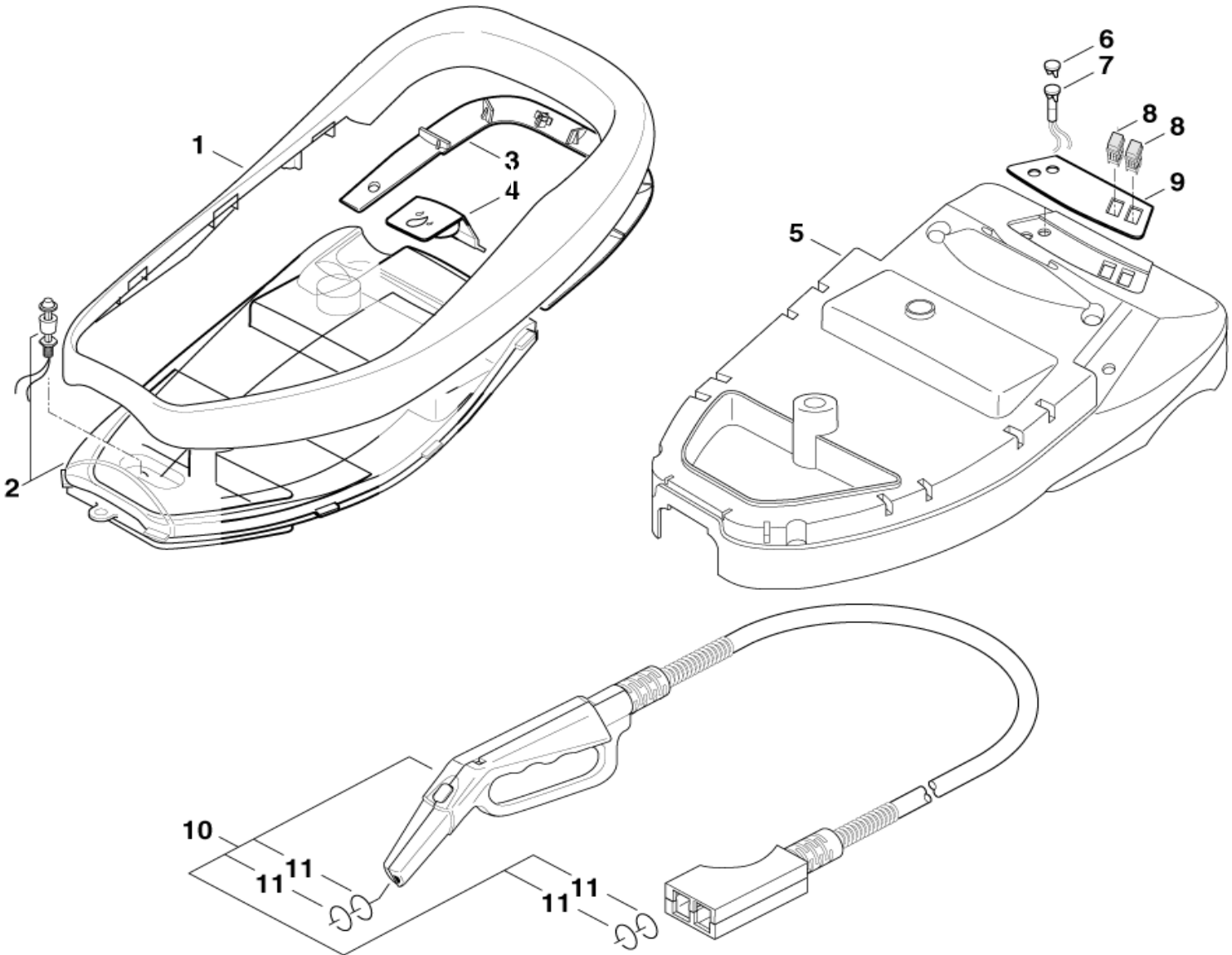
STEAMTEC 51H cover

STEAMTEC 312, 520, 51H

11-02-2010

Part List ID
STEAMTEC10

11



STEAMTEC 51H cover

STEAMTEC 312, 520, 51H

11-02-2010

Part List ID
STEAMTEC10

12

Pos	Part no.	Qty	Description	EAN
1	303000455	1	HANDLE	4005337079
2	303000452	1	TANK 1,35L	4005337080
3	303000454	1	COVER 240X175X13	
4	303000453	1	COVER 65X65X26	4005337079
5	303000449	1	COVER (BLUE)	4005337080
6	303000474	1	BACKET	4005337080
7	303000475	1	INDICATOR LAMP 110-240V	4005337080
8	303000450	2	MAIN SWITCH 16A 250V	4005337080
9	303000468	1	LABEL	4005337080
10	303000488	1	STEAM HOSE	4005337080
11	12960	4	O-RING 7,65X1,78	4005337129

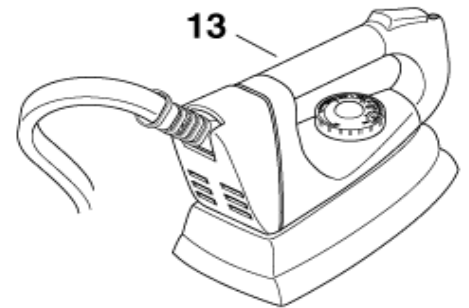
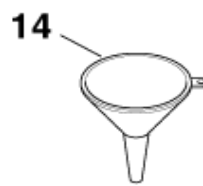
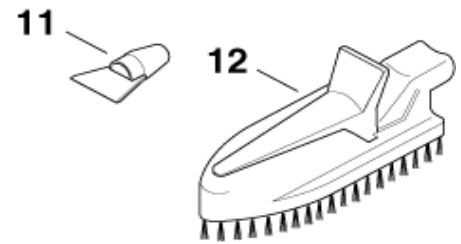
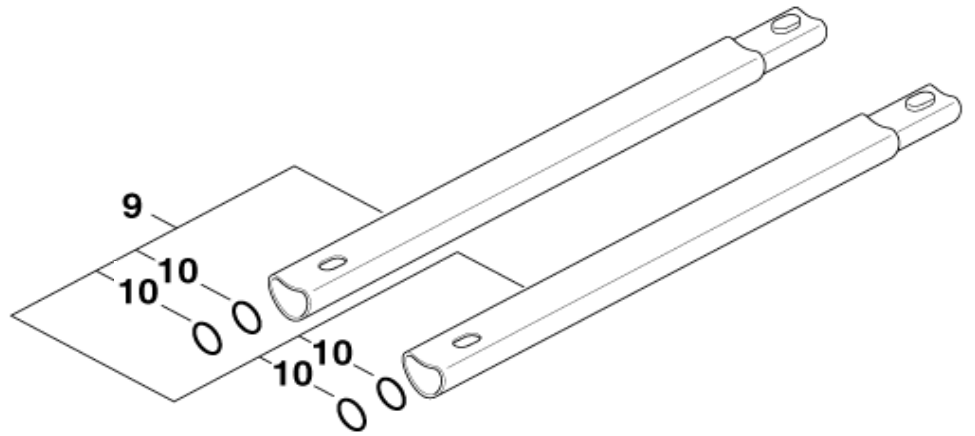
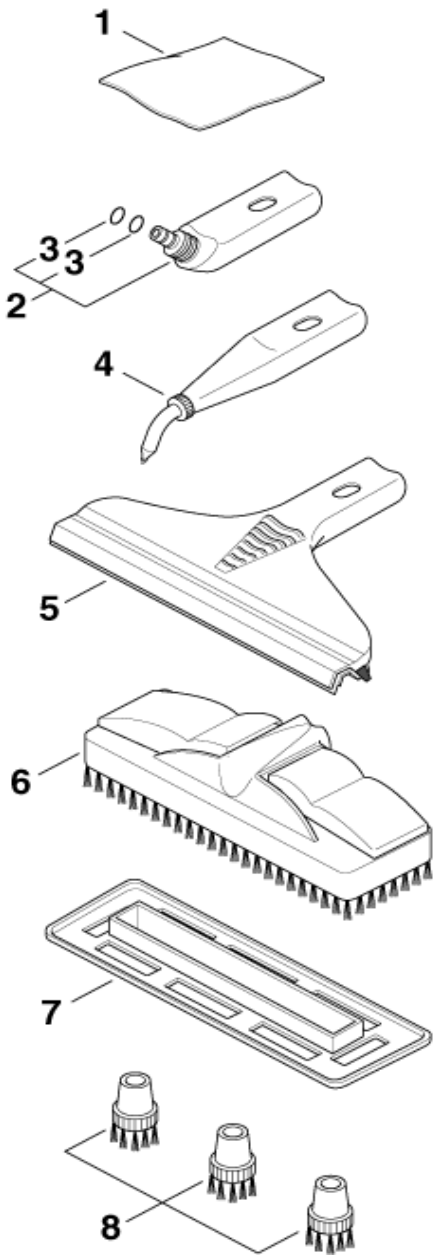
Accessories

STEAMTEC 312, 520, 51H

11-02-2010

Part List ID
STEAMTEC12

13



Accessories

STEAMTEC 312, 520, 51H

11-02-2010

Part List ID
STEAMTEC12

14

Pos	Part no.	Qty	Description	EAN
1	303000423	1	FLOOR CLOTH 470X450X5	4005337078
2	303000424	1	ADAPTER 130X55X37	4005337078
3	9154	2	O-RING Ø 10,82X1,78	4005337091
4	303000429	1	DETAIL NOZZLE	4005337078
5	303000426	1	WINDOW NOZZLE	4005337078
6	303000419	1	FLOOR BRUSH	4005337078
7	303000425	1	CARPET NOZZLE	OPTION 4005337078
8	303000420	1	BRUSH KIT Ø 23	OPTION 4005337078
9	303000422	1	EXTENSION TUBES 2X	4005337078
10	12960	4	O-RING 7,65X1,78	4005337129
11	303000430	1	SCRAPER	OPTION 4005337078
12	303000427	1	CORNER BRUSH	OPTION 4005337078
13	303000407	1	STEAM IRON 230/1/50	STEAMTEC 520, OPTION STEAMTEC 51H 4005337075
14	303000428	1	FUNNEL	4005337078

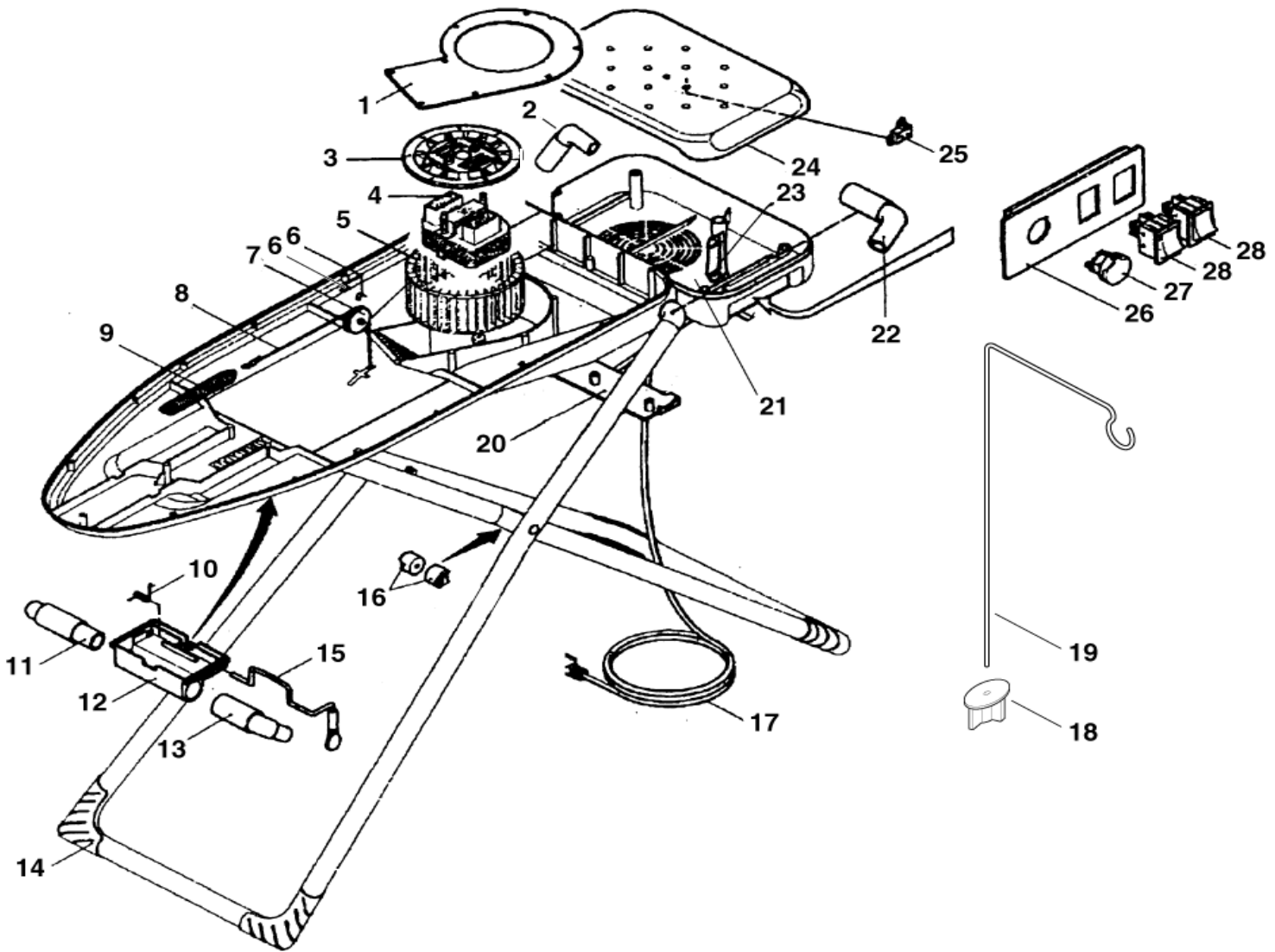
Steam ironing station

STEAMTEC 312, 520, 51H

11-02-2010

Part List ID
STEAMTEC14

15



Steam ironing station

STEAMTEC 312, 520, 51H

11-02-2010

Part List ID
STEAMTEC14

16

Pos	Part no.	Qty	Description	EAN
0	31000200	1	STEAMTEC IRON BOARD All shown on drawing	5715492045
1	67007	1	COVER	4005337670
2	67044	1	ARTICULATED HANDLEBAR REAR RI	4005337670
3	65406	1	COVER Ø 190X27	4005337654
4	65405	1	MOTOR 110W/230V	4005337654
5	65404	1	COOLING FAN Ø 142X60	4005337654
6	67013	2	RETAINING CLAMP	4005337670
7	67028	1	CASTOR Ø 48X16	4005337670
8	67027	1	ROPE Ø 0,8X420	4005337670
9	65409	1	TENSION SPRING 2,5X25X25	4005337654
10	65408	1	SPRING 40X33X10	4005337654
11	67043	1	ARTICULATED HANDLEBAR REAR LE	4005337670
12	65402	1	HOUSING	4005337654
13	65400	1	ARTICULATED HANDLEBAR FRONT L	4005337654
14	67042	4	COVERING (BLUE)	4005337670
15	65403	1	LEVER	4005337654
16	67041	2	DISTANCE PIECE KIT	4005337670
17	28879	1	POWER CORD H05VV-F 3G1,5	4005337288
18	303000302	1	BRACKET 47X29X29	4005337055
19	303000303	1	BRACKET 475X111X4	4005337055
20	67039	1	COVER	4005337670
21	64764	1	SCREENING UNIT 0,47 F/275	4005337647
22	65401	1	ARTICULATED HANDLEBAR FRONT R	4005337654
23	67003	1	BUSHING CLAMP	4005337670
24	67035	1	COVER	4005337670
25	65407	1	MICROSWITCH 250V 12(3)A	4005337654
26	67040	1	CONTROL PANEL	4005337670
27	65410	1	SOCKET 250AT 10-16A	4005337654
28	303000058	2	SWITCH 10A 250VAC	4005337675

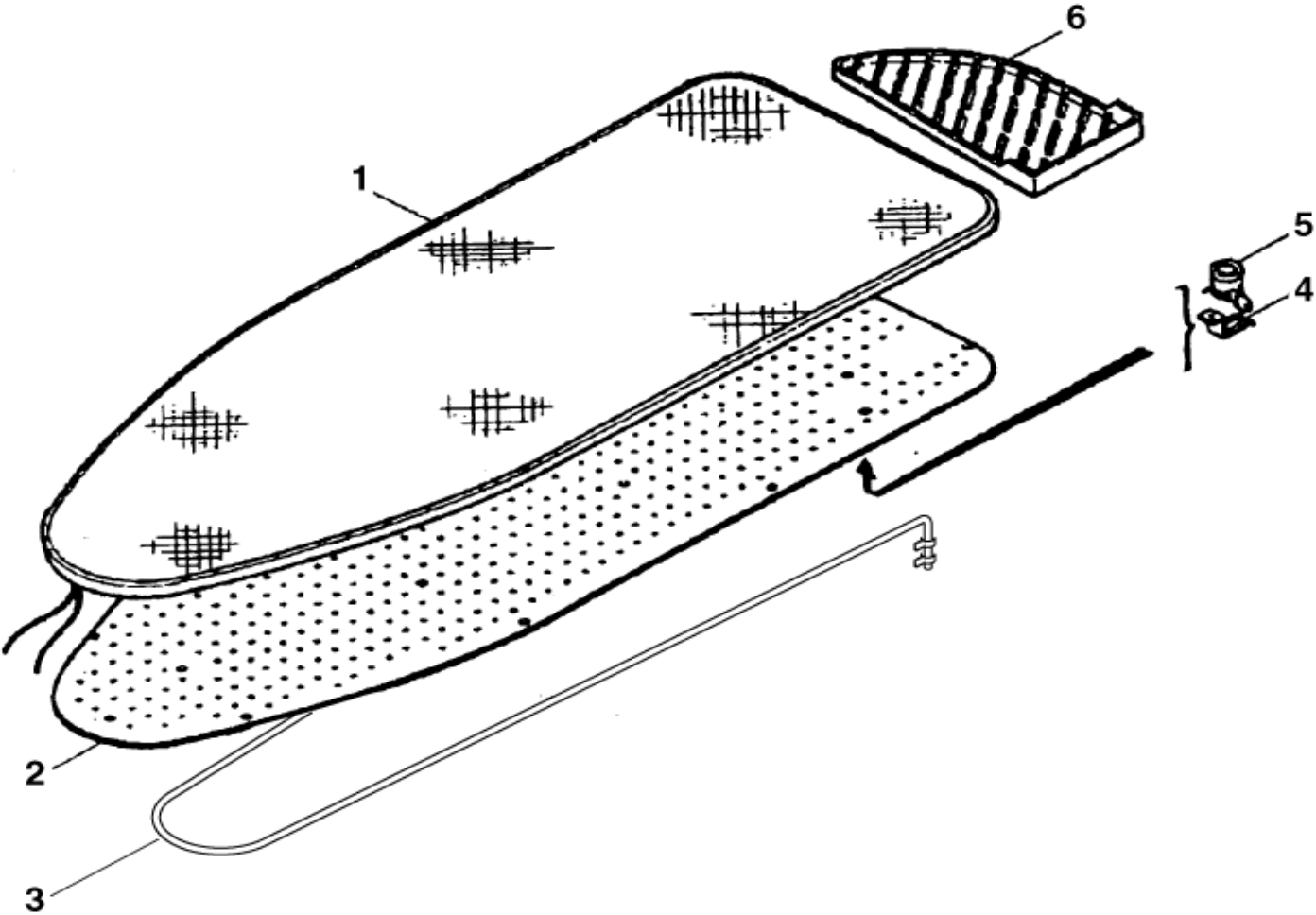
Steam ironing cover

STEAMTEC 312, 520, 51H

11-02-2010

Part List ID
STEAMTEC16

17



Steam ironing cover

STEAMTEC 312, 520, 51H

11-02-2010

Part List ID
STEAMTEC16

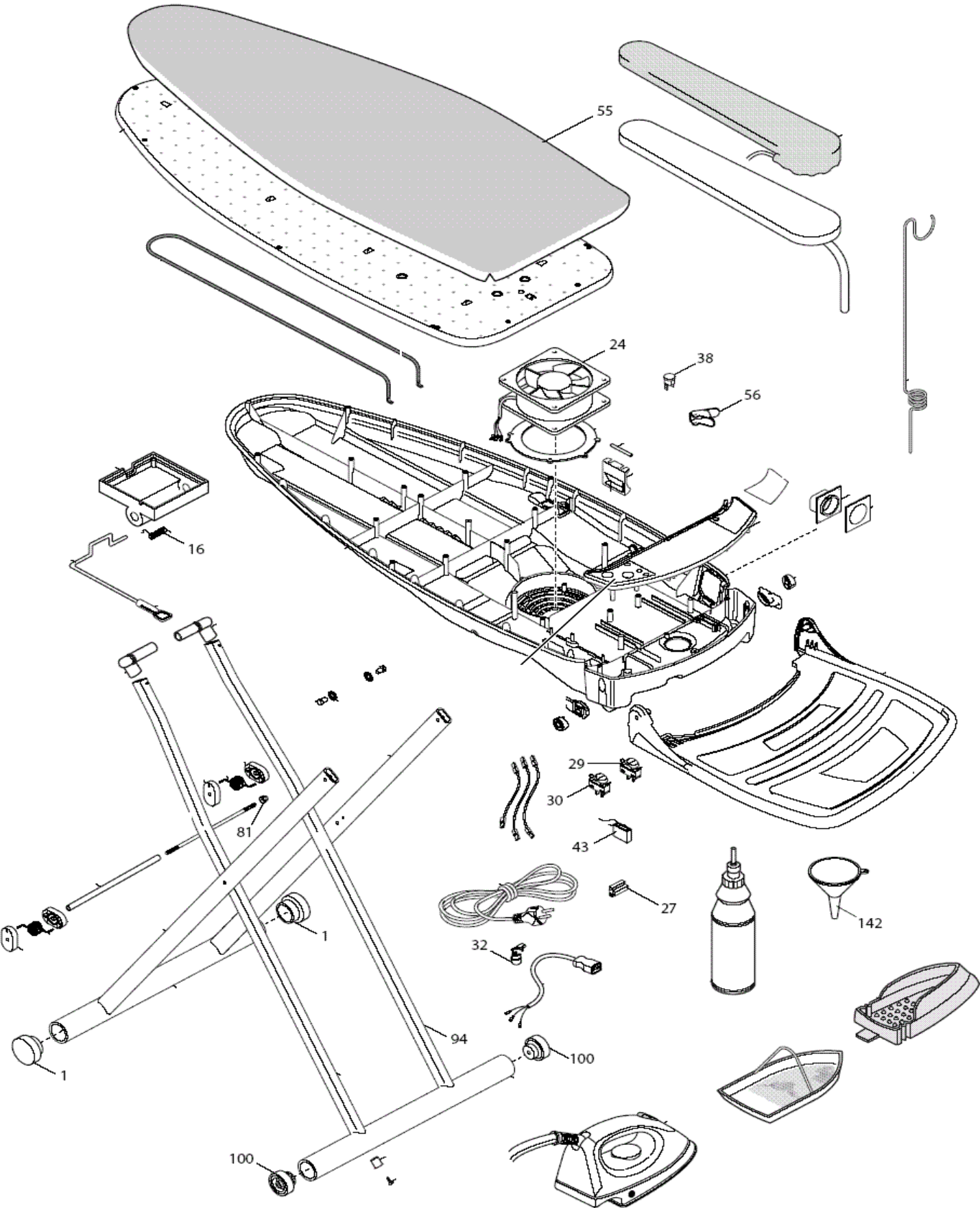
18

Pos	Part no.	Qty	Description	EAN
1	66025	1	COVER	4005337660
2	67010	1	IRONING BOARD	4005337670
3	67011	1	HEATER	4005337670
4	64765	1	BRACKET	4005337647
5	67026	1	SAFETY TEMPERATURE LIMITER	4005337670
6	67005	1	IRON REST	4005337670

Steam ironing board version 2009 June

STEAMTEC 312, 520, 51H

11-02-2010
Part List ID STEAMTEC18
19



Steam ironing board version 2009 June

STEAMTEC 312, 520, 51H

11-02-2010

Part List ID
STEAMTEC18

20

Pos	Part no.	Qty	Description	EAN
0	31000200	1	STEAMTEC IRON BOARD	5715492045
1	31000157	1	ADJUSTABLE FEET SUPPORT D.40MM BLACK	
16	65408	1	SPRING 40X33X10	4005337654
24	31000158	1	MOTOR H.38 120X120 220/240V 50/60HZ	
27	303000470	1	CONNECTOR HOUSING 3-POL.	4005337080
29	31000159	1	UNIP. SWITCH UNIP.3P 8A 250V	
30	31000160	1	UNIP. SWITCH WITH RED LED SR-06NR-N	
32	67003	1	BUSHING CLAMP	4005337670
38	31000161	1	THERMOSTAT T.80 WITH CLAMP FS	
43	31000162	1	CAPACITOR CX 0.47 UF PB 4.8	
55	31000163	1	IRON. BOARD CLOTH	
56	303000482	1	BACKET 76X39X21	4005337080
100	31000164	1	WHEEL D 40 WITH RUBBER	
142	303000428	1	FUNNEL	4005337078